



- Features :
 - Constant current mode power supply
 - Universal AC input / Full range
 - Withstand 300VAC Surge input for 5 seconds
 - Protections: Short circuit / Over voltage
 - Fully isolated plastic case
 - Small and compact size
 - Cooling by free air convection
 - IP42 design
 - 100% full load burn-in test
 - Suitable for LED lighting and moving sign applications
 - Low cost / High reliability
 - 2 years warranty

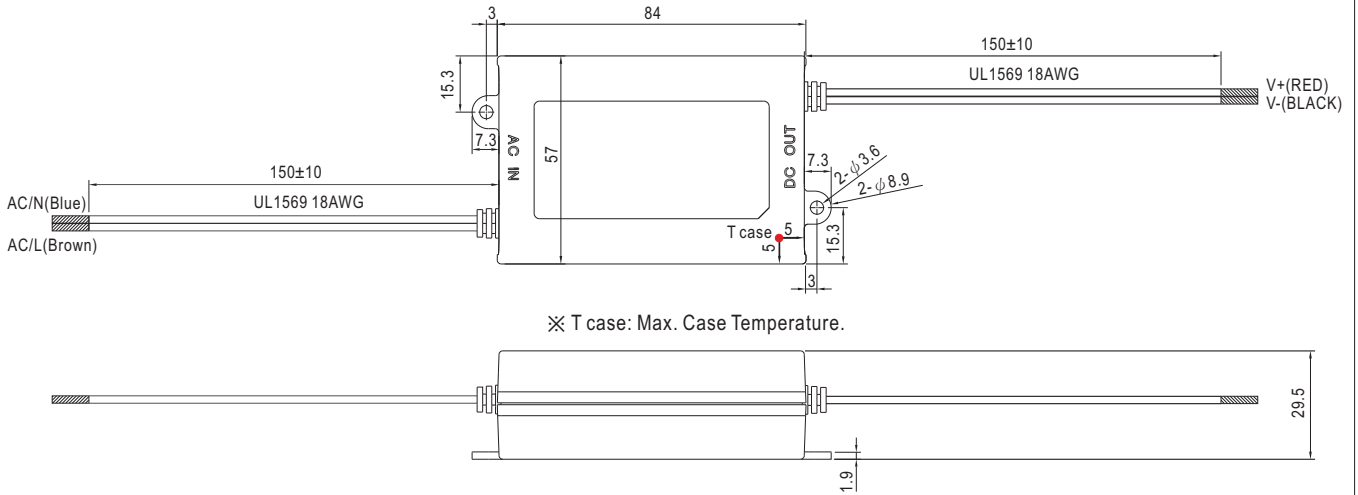
(only for APC-35-700)
 (only for APC-35-1050)
 IP42 LPS (except for APC-35-350, APC-35-500)

SPECIFICATION

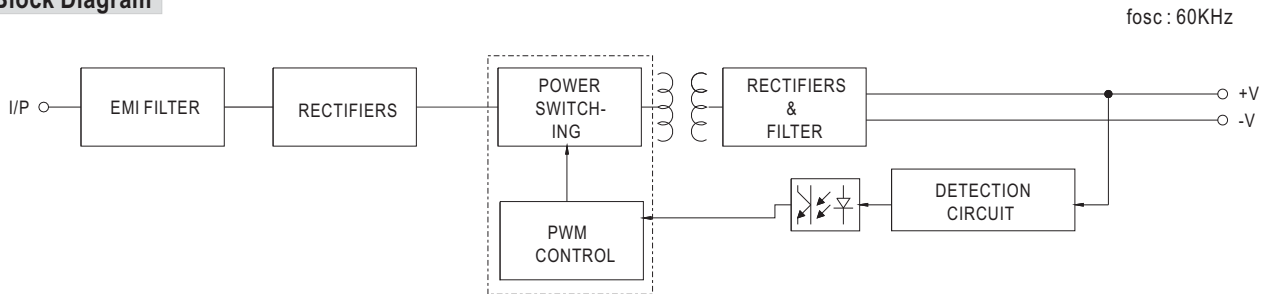
| MODEL | APC-35-350 | APC-35-500 | APC-35-700 | APC-35-1050 | |
|-----------------------|---|--|------------|-------------|----------|
| OUTPUT | RATED CURRENT | 350mA | 500mA | 700mA | 1050mA |
| | DC VOLTAGE RANGE | 28~100V | 25~70V | 15~50V | 11~33V |
| | RATED POWER | 35W | 35W | 35W | 34.7W |
| | RIPPLE & NOISE (max.) Note.2 | 350mVp-p | 350mVp-p | 350mVp-p | 350mVp-p |
| | VOLTAGE TOLERANCE Note.3 | ±5.0% | | | |
| | CURRENT ACCURACY | ±8.0% | | | |
| | LINE REGULATION | ±1.0% | | | |
| | LOAD REGULATION | ±3.0% | | | |
| | SETUP, RISE TIME | 1500ms, 40ms / 230VAC 1500ms, 40ms / 115VAC at full load | | | |
| HOLD UP TIME (Typ.) | 20ms/230VAC 12ms/115VAC at full load | | | | |
| INPUT | VOLTAGE RANGE Note.4 | 90 ~ 264VAC 127 ~ 370VDC | | | |
| | FREQUENCY RANGE | 47 ~ 63Hz | | | |
| | EFFICIENCY(Typ.) | 84% | 84% | 84% | 84% |
| | AC CURRENT | 0.5A/230VAC; 0.75A/115VAC | | | |
| | INRUSH CURRENT(Typ.) | COLD START 45A(twidth=490µs measured at 50% Ipeak) at 230VAC | | | |
| | MAX. No. of PSUs on 16A CIRCUIT BREAKER | 5 units (circuit breaker of type B) / 9 units (circuit breaker of type C) at 230VAC | | | |
| LEAKAGE CURRENT | 0.25mA / 240VAC | | | | |
| PROTECTION | OVER VOLTAGE | 110 ~ 130V | 77 ~ 91V | 55 ~ 65V | 36 ~ 43V |
| | | Protection type : Shut down o/p voltage, re-power on to recover | | | |
| ENVIRONMENT | WORKING TEMP. | -30 ~ 70°C (Refer to "Derating Curve") | | | |
| | WORKING HUMIDITY | 20 ~ 90% RH non-condensing | | | |
| | STORAGE TEMP., HUMIDITY | -40 ~ +80°C, 10 ~ 95% RH | | | |
| | TEMP. COEFFICIENT | ±0.2%/°C (0 ~ 50°C) | | | |
| | VIBRATION | 10 ~ 500Hz, 2G 10min./1cycle, period for 60min. each along X, Y, Z axes | | | |
| SAFETY & EMC (Note 5) | SAFETY STANDARDS | UL8750 (only for APC-35-700&1050), CSA-C22.2 No. 250.0-13 (only for APC-35-1050), IP42 approved; design refer to EN60950-1 | | | |
| | WITHSTAND VOLTAGE | I/P-O/P:3KVAC | | | |
| | ISOLATION RESISTANCE | I/P-O/P:>100M Ohms / 500VDC / 25°C / 70% RH | | | |
| | EMC EMISSION | Compliance to EN55022, EN61000-3-2 Class A, EN61000-3-3 | | | |
| | EMC IMMUNITY | Compliance to EN55024, EN61000-4-2, 3, 4, 5, 6, 8, 11; light industry level (surge 2KV), criteria A | | | |
| OTHERS | MTBF | 518.9K hrs min. MIL-HDBK-217F (25°C) | | | |
| | DIMENSION | 84*57*29.5(L*W*H) | | | |
| | PACKING | 0.18Kg; 72pcs/14Kg/0.92CUFT | | | |
| NOTE | 1. All parameters NOT specially mentioned are measured at 230VAC input, rated load and 25°C of ambient temperature. 2. Ripple & noise are measured at 20MHz of bandwidth by using a 12" twisted pair-wire terminated with a 0.1µf & 47µf parallel capacitor. 3. Tolerance : includes set up tolerance, line regulation and load regulation. 4. Derating may be needed under low input voltage. Please check the static characteristic for more details. 5. The power supply is considered as a component that will be operated in combination with final equipment. Since EMC performance will be affected by the complete installation, the final equipment manufacturers must re-qualify EMC Directive on the complete installation again. 6. The unit might not be suitable for lighting applications in EU countries. Please check with your local authorities for the possible use of the unit. | | | | |

Mechanical Specification

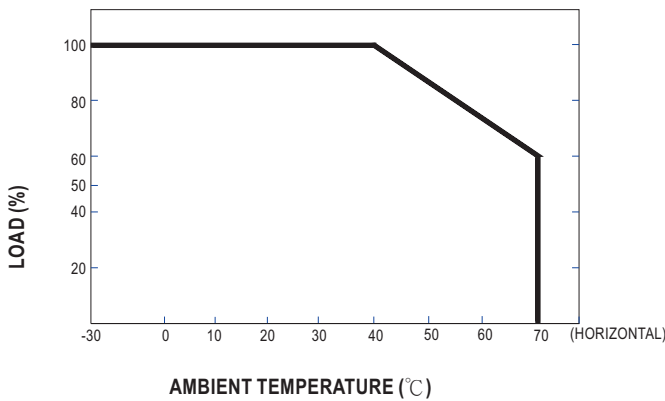
Case No.PCD16A Unit:mm



Block Diagram



Derating Curve



Static Characteristics

